

■DESCRIPTION

The TS-900 is a Central unit of the Infrared Conference system. Since the system is cordless, it can be easily installed and removed based on a free layout.

Connecting the TS-900 to the Transmitter/Receiver units permits control of the conference units. It features control function from a PC (The control software is not attached.), installation confirmation function that confirms the connection status for the Transmitter/Receiver units and installation status for the conference units, and voting function that computes and displays the voting result. Since two speech outputs are provided (Main and Sub channels), it is ideal for use in simultaneous interpreting conference.

With the use of an optional rack mounting bracket, it can be mounted in an EIA Standard equipment rack (4 unit size).

■SPECIFICATIONS

* 0 dB = 1 V

Power Source	100 - 240 V AC, 50/60 Hz (supplied from AC adapter (accessory))
Power Consumption	72 W
Input	MIC 1 (Base Language): -60 dB*, 600 Ω, unbalanced, phone jack MIC 2 (Translation Language): -60 dB*, 600 Ω, unbalanced, phone jack AUX 1 (Base Language): -20 dB*, 10 kΩ, unbalanced, phone jack AUX 2 (Translation Language): -20 dB*, 10 kΩ, unbalanced, phone jack AUX 3 (Base and Translation Language): -20 dB*, 10 kΩ, unbalanced, phone jack
Output	LINE: -20 dB*, 10 kΩ, unbalanced, phone jack REC: -20 dB*, 10 kΩ, unbalanced, phone jack, RCA pin jack HEADPHONE: Mini jack
Number of Connectable Chairman/Delegate Units	96 units
Number of Connectable Infrared Transmitter/Receiver Units	4 units (up to 16 units by using four Distributors)
Infrared Transmitter/Receiver I/O Terminal	4 BNC jacks
External Control Terminal	D-sub connector (9 P, male)
LED Indicator	Voting result indicators 1 - 3 (7-segment LED, double-digit number), Audio signal receiving indicators 1 - 4 CH, Data signal receiving indicator, External control priority indicator, External control communication indicator, Power indicator, Battery indicator (flashes when a Chairman/Delegate unit's battery nears complete discharge)
Function Switch	Simultaneous speaker No. setting switch: 1/2/4 Mic-off setting switch: TIME OUT ON/OFF Speech priority selector switch: A/B/C (A: First-in-first-out priority, B: Last-in-first-out priority, C: Fixed for the first unit, and last-in-first-out for the subsequent units)
Microphone Mix/Cut Switch (for the Base Language)	MIC/CUT (Mix): Chairman/Delegate units + MIC 1 + AUX 1 + AUX 3 → Base Language (Cut): MIC 1 + AUX 1 + AUX 3 → Base Language
Microphone Mix/Cut Switch (for the Translation Language)	MIC/CUT (Mix): Chairman/Delegate units + MIC 2 + AUX 2 + AUX 3 → Translation Language (Cut): MIC 2 + AUX 2 + AUX 3 → Translation Language
AUX 3 Mixing Select Switch	MIC/CUT (Mix): AUX 3 input is relayed to the line output. (Cut): AUX 3 input is not relayed to the line output.
Operating Temperature	0°C to +40°C
Finish	Panel: Surface-treated steel plate, gray metallic, paint, semi-gloss
Weight	2.8 kg
Accessory	AC adapter (Cord length: 1.8 m DC cord, and 2 m detachable AC cord)---1
Option	Rack mounting bracket: MB-TS900

■ APPEARANCE

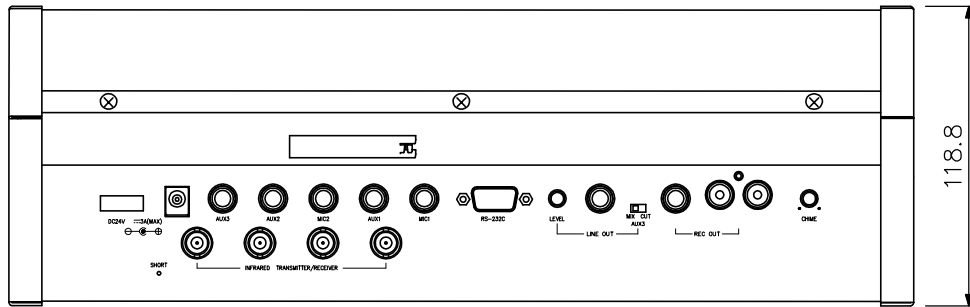


Figure as viewed from point A

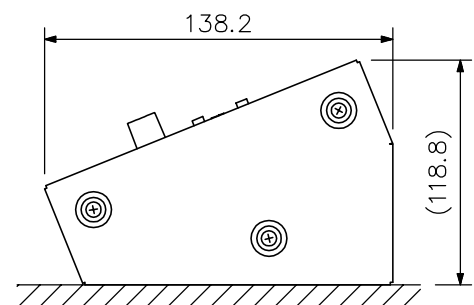
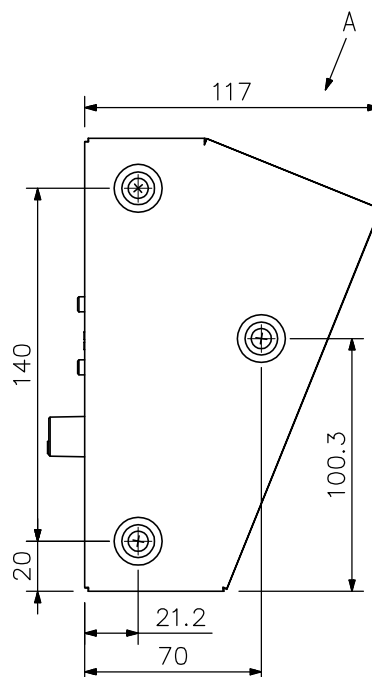
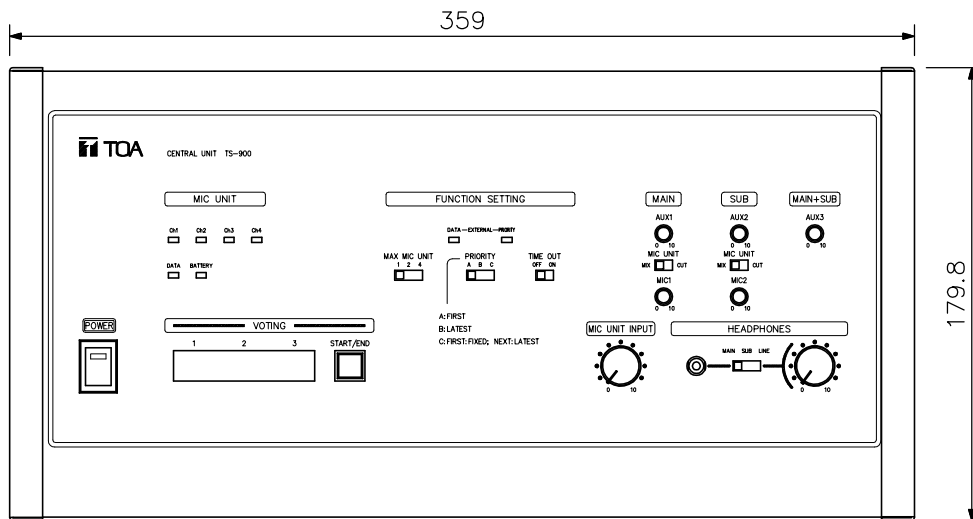


Figure of the unit installed
(scale: 1/4)

UNIT:mm SCALE:1/3